



CARBON

Precision for Performance

"THE HOUSE OF ROTARY JOINTS

ONE STOP SOLUTION OF ROTARY JOINTS & SLIP RINGS"



Rotary Joints
Rotary Unions
Hybrid Rotary Joints
Multi Port Rotary Union
Swivel Joints
Sliprings



CARBON

Precision for Performance

5000 Series

**"CARBON" BRAND ROTARY UNION FOR
CONTINUOUS CASTING MACHINE IN STEEL INDUSTRIES.**



SIZE : 1/2" , 3/4" , 1" , 1.1/2"

WITH DUAL FLOW/MONOFLOW

THREDS AVAILABLE : STANDARD ISO 228, OR NPT.

TEMPERATURE (Max) : 125°C Max.

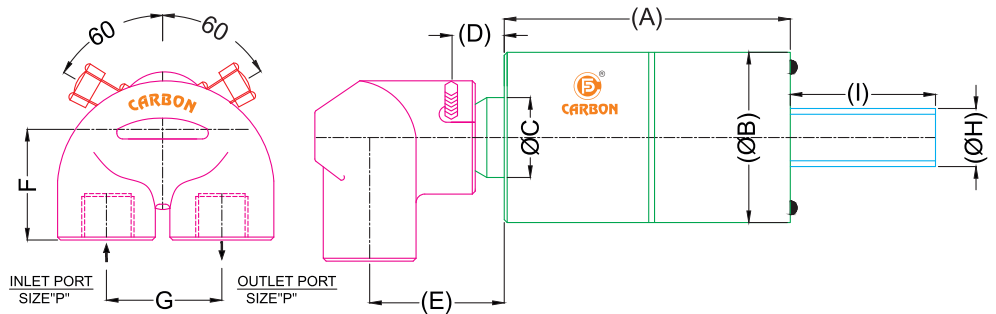
PRESSURE (Max) : 100 PSI Max.

SPEED (Max) : 100 RPM

thecarbon.co.in
swiveljoint.co.in

Model 5000A

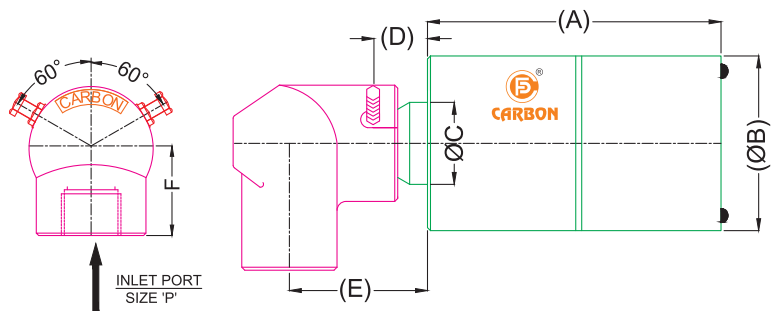
Dual Flow Series



"CARBON" BRAND '5000A' SERIES DUAL FLOW DATA SHEET

CARBON MODEL NO.	'P' INLET PORT	A	ØB	C	D	E	F	G	ØH	I
CF5000A19003DSB-1	¾" NPT	-0.28 67.95	-0.25 46.35	32	17	42	39	51	-0.05 13.00	40
CF5000A19003DSB-2	G¾" B.S.P	-0.28 67.95	-0.25 46.35	32	17	42	39	51	-0.05 13.00	40
CF5000A19003DSB-3	¾" NPT	-0.25 98.60	-0.25 58.98	38	17	42	39	51	-0.06 19.00	40
CF5000A19003DSB-4	G¾" B.S.P	-0.25 98.60	-0.25 58.98	38	17	42	39	51	-0.06 19.00	40
CF5000A25003DSB-5	1" NPT	-0.25 101.25	-0.25 71.25	57	23	66	64	64	-0.12 28.70	50
CF5000A25003DSB-6	1" BSP	-0.25 101.25	-0.25 71.25	57	23	66	64	64	-0.12 28.70	50

Mono Flow Series



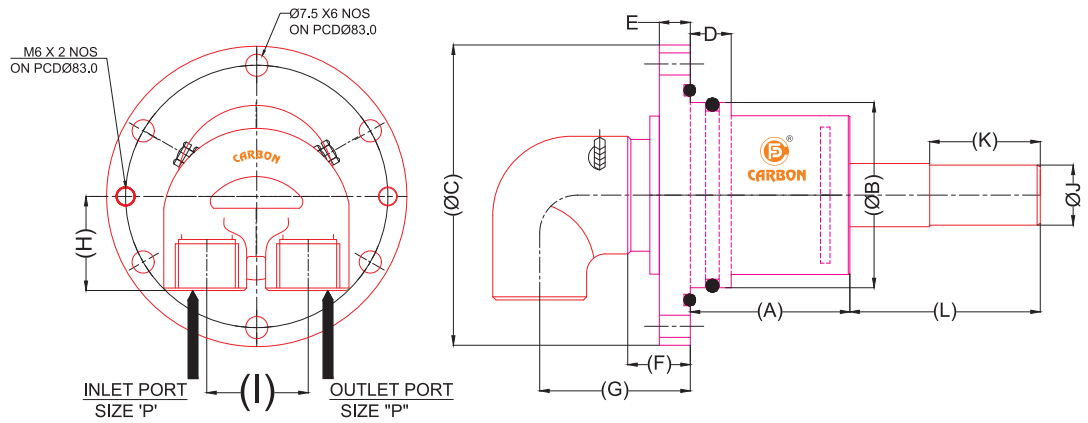
"CARBON " BRAND '5000A' SERIES MONO FLOW DATA SHEET

"CARBON" MODEL NO."	'P' INLET PORT	A	ØB	C	D	E	F	G	ØH	I
CF5000A12003MB-1	½" NPT	-0.28 53.74	-0.24 40.32	25	17	31	41	—	—	—
CF5000A12003MB-2	½" B.S.P	-0.28 53.74	-0.24 40.32	25	17	31	41	—	—	—
CF5000A25003MB-3	1" NPT	-0.25 67.95	-0.25 46.35	32	17	44	46	—	—	—
CF5000A25003MB-4	1" B.S.P	-0.25 67.95	-0.25 46.35	32	17	44	46	—	—	—
CF5000A25003MB-5	1" NPT	-0.25 98.60	-0.25 58.98	38	17	44	46	—	—	—
CF5000A25003MB-6	1" BSP	-0.25 98.60	-0.25 58.98	38	17	44	46	—	—	—

Model 5000B



Dual Flow Series



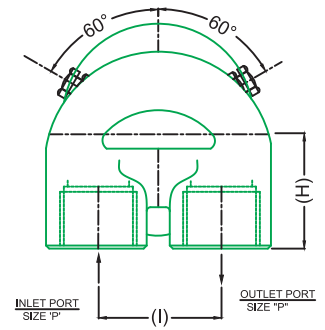
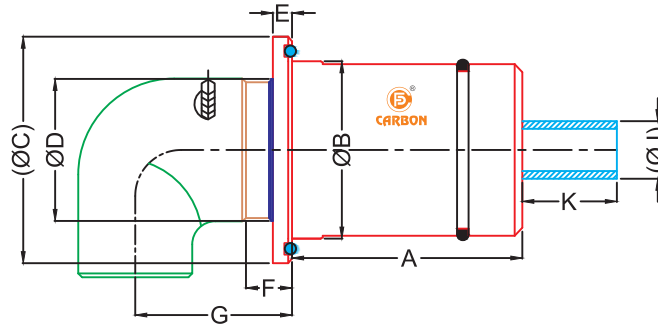
"CARBON " BRAND '5000B' SERIES DUAL FLOW DATA SHEET

CARBON MODEL NO	'P' INLET PORT	A	ØB	ØC	D	E	F	G	H	I	ØJ	K	L
CF5000B19003DSB	3/4" B.S.P	41.2	58.6	95	13	9.8	19	44.5	40	51	19.0 ^{-0.05}	35	84



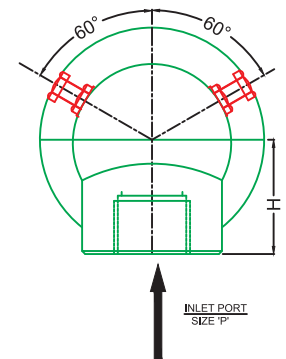
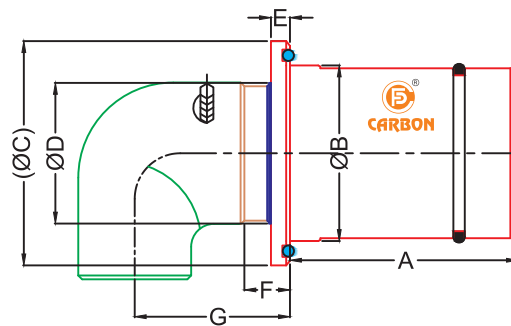
Model 5000C

Dual Flow Series



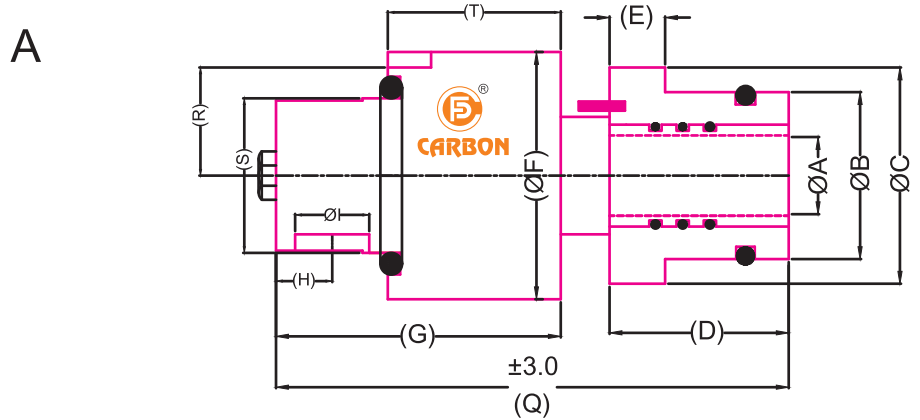
"CARBON " BRAND '5000C' SERIES DUAL FLOW DATA SHEET												
CARBON MODEL NO	'P' INLET PORT	(A)	(ØB)	(ØC)	(ØD)	(E)	(F)	(G)	(H)	(I)	(ØJ)	(K)
CF5000C19003DSB-1	3/4" NPT	61	46.22 ^{-0.12}	59	25	5	19	49	40	51	13.0 ^{-0.05}	49
CF5000C19003DSB-2	3/4" B.S.P	61	46.22 ^{-0.12}	59	25	5	19	49	40	51	13.0 ^{-0.05}	49
CF5000C19003DSB-3	3/4" NPT	79	58.85 ^{-0.12}	72.89 ^{-0.2}	35	5	19	44	40	51	19.0 ^{-0.05}	63.5
CF5000C19003DSB-4	3/4" B.S.P	79	58.85 ^{-0.12}	72.89 ^{-0.2}	35	5	19	44	40	51	19.0 ^{-0.05}	63.5
CF5000C19003DSB-5	1" B.S.P	88	71.12 ^{-0.13}	86	50	5	19	69	49	63.5	28.70 ^{-0.12}	48
CF5000C19003DSB-6	1" NPT	88	71.12 ^{-0.13}	86	50	5	19	69	49	63.5	28.70 ^{-0.12}	48

Mono Flow Series



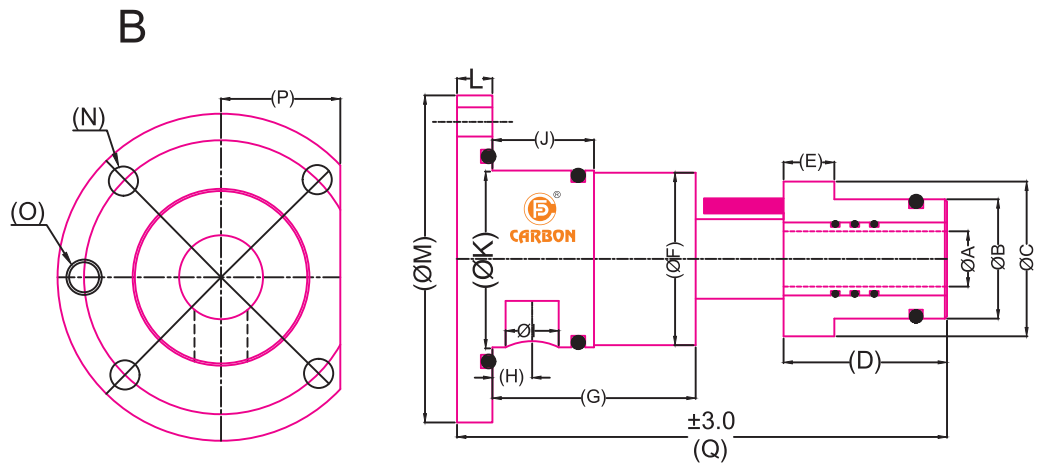
"CARBON " BRAND '5000C' SERIES MONO FLOW DATA SHEET												
CARBON MODEL NO	'P' INLET PORT	(A)	(ØB)	(ØC)	(ØD)	(E)	(F)	(G)	(H)	(I)	(ØJ)	(K)
CF5000C19003MB-1	3/4" NPT	61	46.22 ^{-0.12}	59	25	5	19	55	47	-	-	-
CF5000C19003MB-2	3/4" B.S.P	61	46.22 ^{-0.12}	59	25	5	19	55	47	-	-	-
CF5000C19003MB-3	1" NPT	79	58.85 ^{-0.12}	72.89 ^{-0.2}	35	5	19	50	47	-	-	-
CF5000C19003MB-4	1" B.S.P	79	58.85 ^{-0.12}	72.89 ^{-0.2}	35	5	19	50	47	-	-	-

Model 5100 A



5100 SERIES																				
MODEL NO.	ØA	ØB	ØC	D	E	F	G	H	ØI	J	ØK	L	ØM	N	0	P	Q	R	S	T
CF5100A003MB	12.7	27 h6	35 e8	29	9	39	46.1	9.1	Ø12	-	-	-	-	-	-	-	84	17.5	Ø25.0e8	28

Model 5100 B



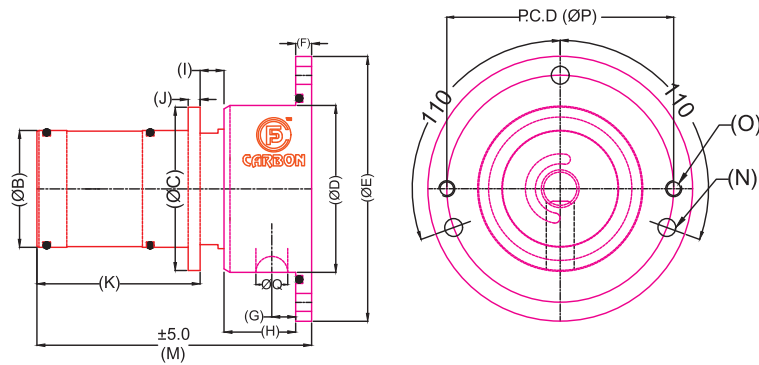
5100 SERIES																				
MODEL NO.	ØA	ØB	ØC	D	E	F	G	H	ØI	J	ØK	L	ØM	N	0	P	Q	R	S	T
CF5100B003MB	12.5	27 h6	35 e8	37	11.5	39	46	9	Ø12	23	Ø40	8	Ø74	Ø6.6 X 4 NOS	M8 X 1 NOS	27	111	-	-	-



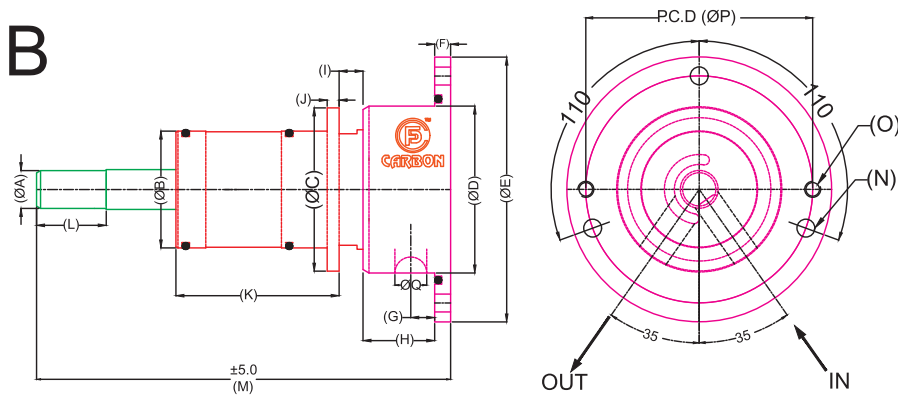
Model 5200



A



B



5200 SERIES																	
MODEL NO.	ØA	ØB	ØC	ØD	ØE	F	G	H	I	J	K	L	M	N	0	ØP	ØQ
CF5200A003	-	58.67	83	83.82	133	8	12	36	12	6	82	-	138	Ø9 X 3 NOS	M8 X 2 NOS	114	16
CF5200B003	19h9	58.67	83	83.82	133	8	12	36	12	6	82	40	207.0	Ø9 X 3 NOS	M8 X 2 NOS	114	16

"CARBON" Global Network



CARBON
Precision for Performance

CARBON ROTATING SYSTEMS PVT LTD
L/447, G.I.D.C. ODHAV, AHMEDABAD-382415. INDIA
(O) 079 – 22890503, M: +917984687858; +919824052973
E-mail : info@thecarbon.co.in
Website : thecarbon.co.in